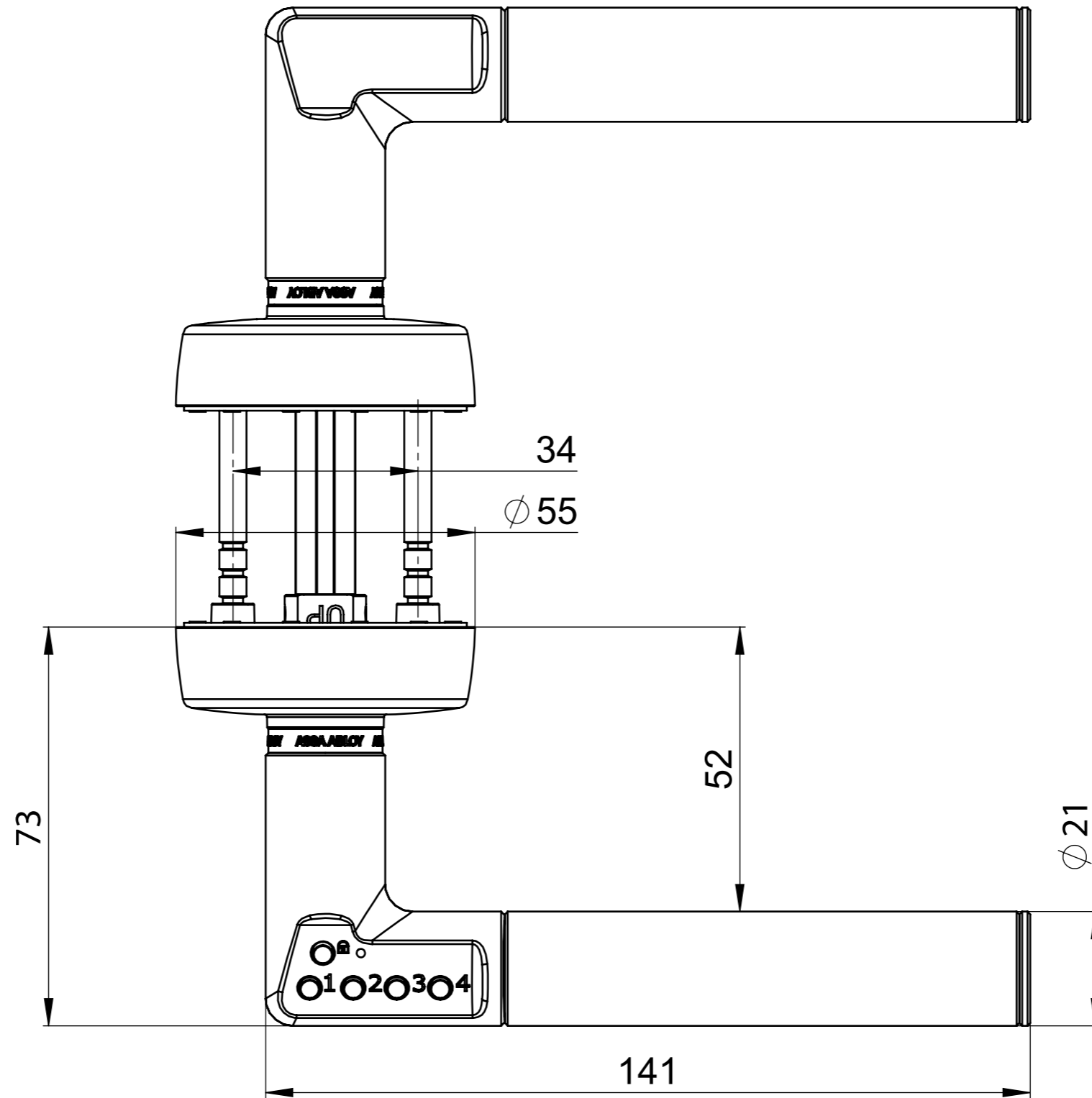


This work is copyright and no part may be reproduced, by any process, nor may any other exclusive right be exercised without the permission of ASSA ABLOY.



Surface:			Material:			General tolerance: ISO 2768-mH	
Volume:	Weight:	Surface area:	Created (YYYY-MM-DD): 2011-09-06	Designed by: FrCa	Drawn by: RiWe	Scale: 1:1 (A3)	Projection: 
<b>ASSA ABLOY</b> ASSA ABLOY Scandinavia			Handle unit 8815 H000			Alternate ID <b>8815 8R</b>	
						Document ID	Rev.: <b>6</b>